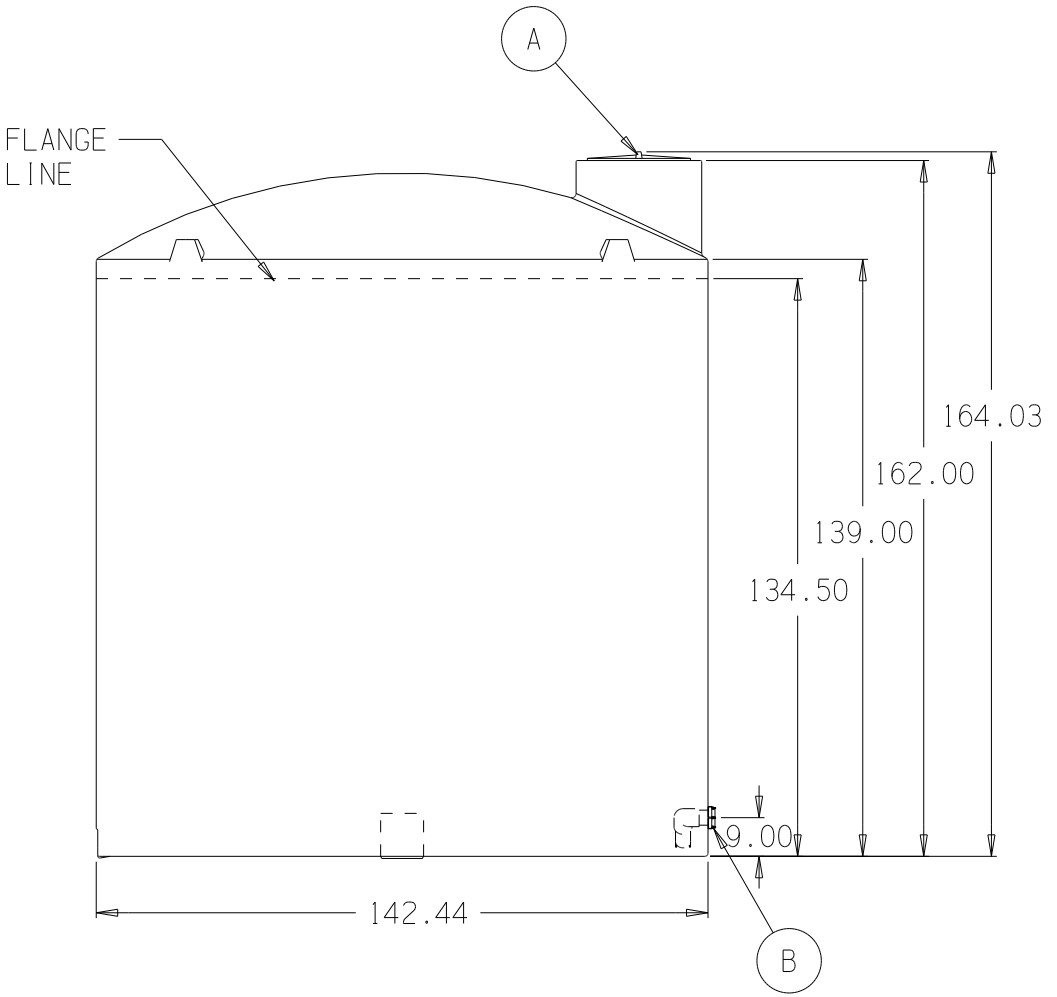
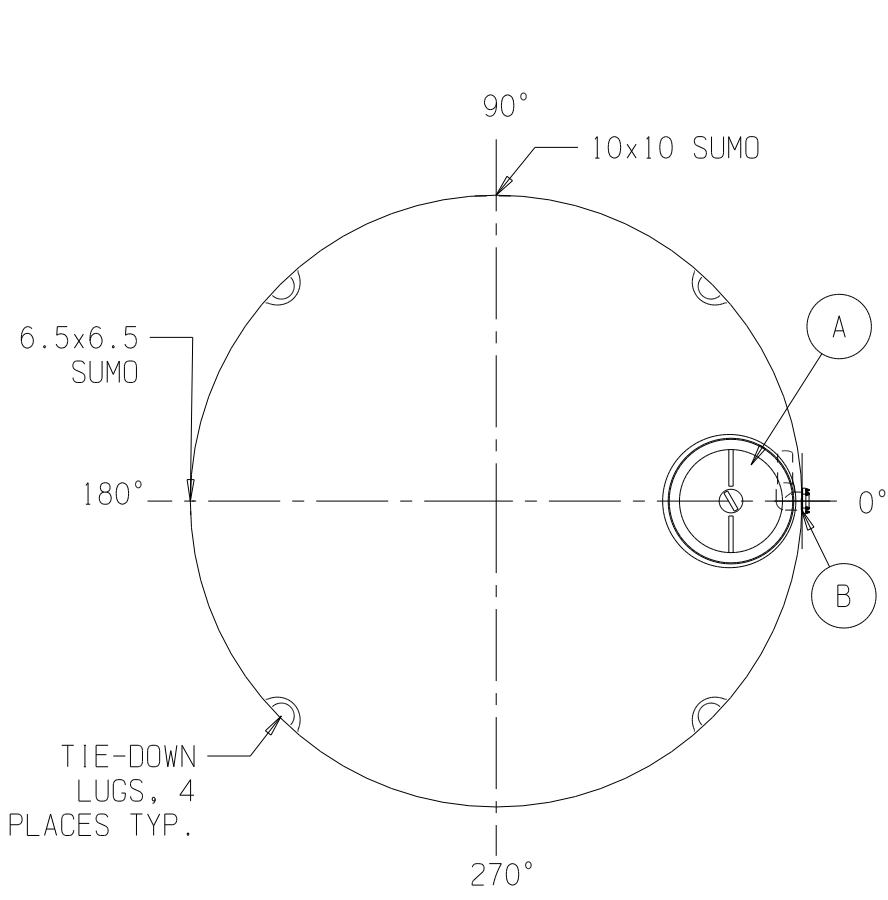


WATER

SNYDER INDUSTRIES INC.



NOTE:
 ALL EXTERNAL PIPING MUST BE INDEPENDENTLY SUPPORTED.
 A. 24" PE THREADED-VENTED MANWAY W/15" ACCESS [P/N 34700352]
 B. ASM SIPHON/LG BLTD PP/EPDM 3IN X LONG [P/N 34701938]

* BASE FITTINGS TO BE LEFT INSTALLED AT TIME OF SHIPMENT PER SII PROCEDURE

ALL DIMENSIONS, DESIGNS, AND INFORMATION ON THIS PRINT MUST BE CONSIDERED PROPRIETARY TO SNYDER INDUSTRIES, INC. AND MAY NOT BE USED, COPIED, OR DISTRIBUTED WITHOUT WRITTEN PERMISSION OF AN OFFICER (OR HIS AGENT) OF THE FIRM.

(all dimensions in inches)

PART # TANK: 5330200W94301
NAT/WATER

REF#: 00000

06/23/15

10,000 GALLON NATURAL WATER TANK