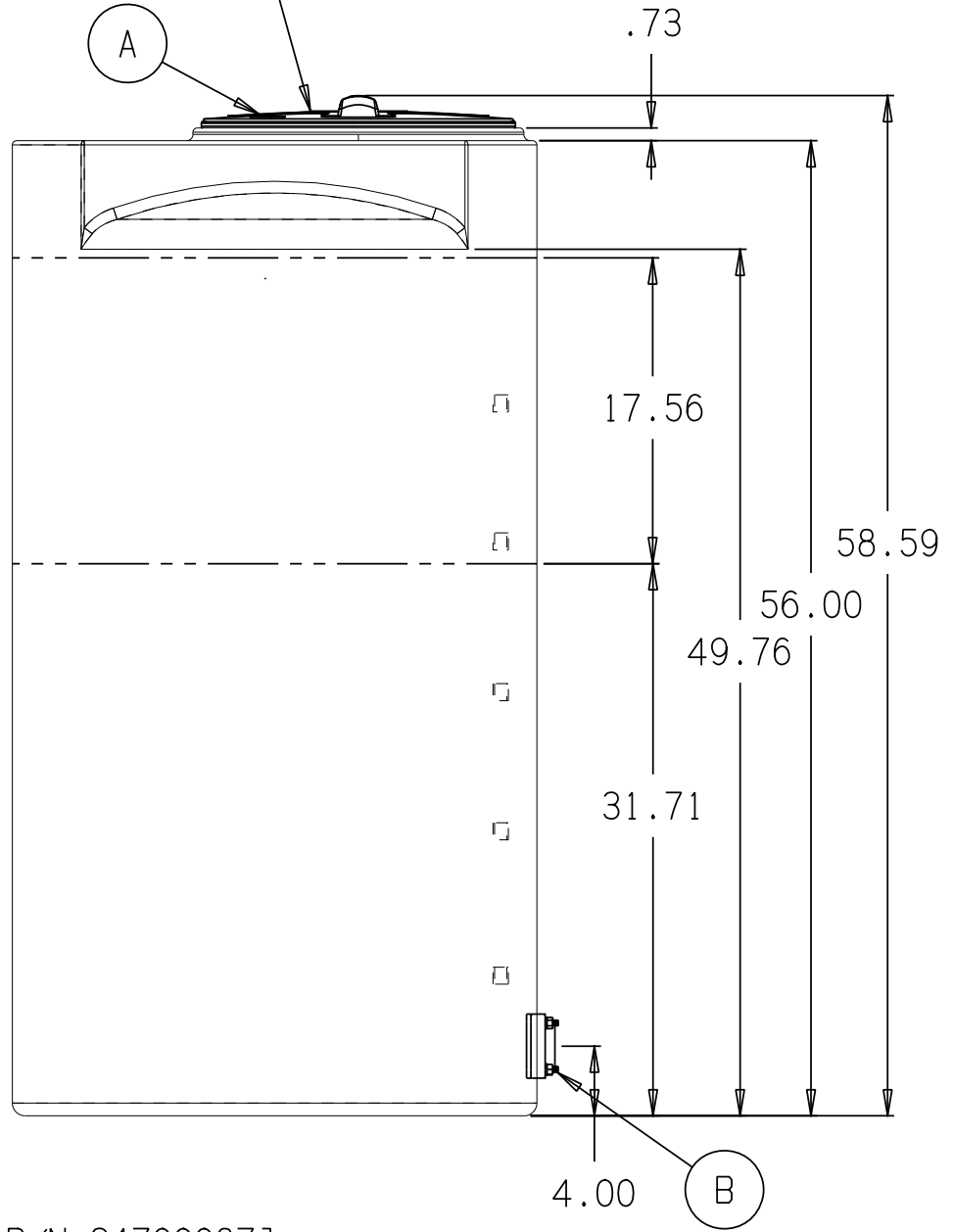
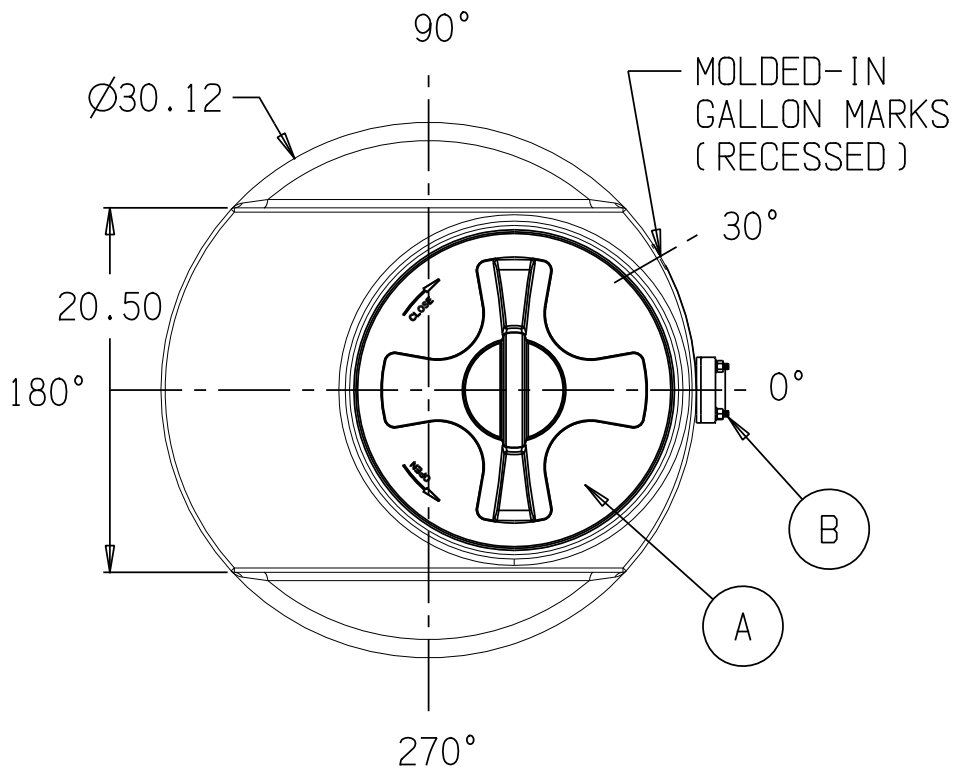


18" PE threaded manway w/15" access



- A. 18" PE THREADED-VENTED MANWAY W/15" ACCESS [P/N 34700087]
- B. 2" PP DBL FLANGED BOLTED FTG W/EPDM GASKETS & SS BOLTS [P/N 34100103]

BASE FITTINGS TO BE LEFT INSTALLED AT TIME OF SHIPMENT PER SII PROCEDURE

(all dimensions in inches)

PART # TANK: 1012800W--

150 GALLON X 30 VERTICAL WATER TANK

REF#: 00000

01/11/10