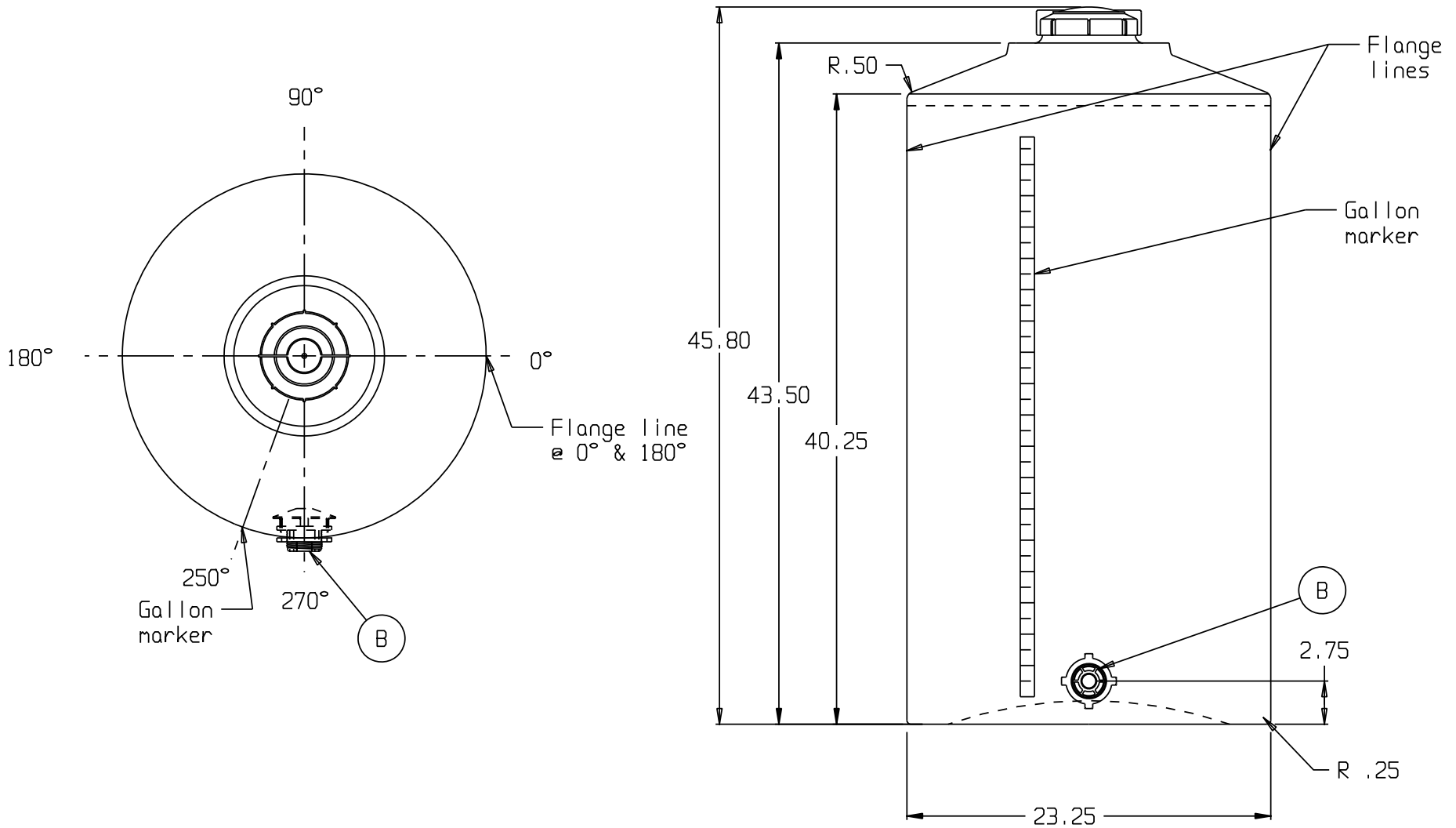


WATER

SNYDER INDUSTRIES INC.



STANDARD OUTLET SPECIFICATION \* A \*

- A. 6" PE THREADED-VENTED FILL CAP W/4-1/2" ACCESS [P/N 34300047]
- B. 3/4" PE STANDARD BH FTG W/EPDM O-RING & ANTI-VORTEX CAP [P/N 34700002]

BASE FITTINGS TO BE LEFT INSTALLED AT TIME OF SHIPMENT PER SII PROCEDURE

(all dimensions in inches)

PART #	TANK: 1550000W94301
	HDLPE/NAT/WATER
REF#: 0000	06/23/11

# 65 GALLON DOME BOTTOM TANK