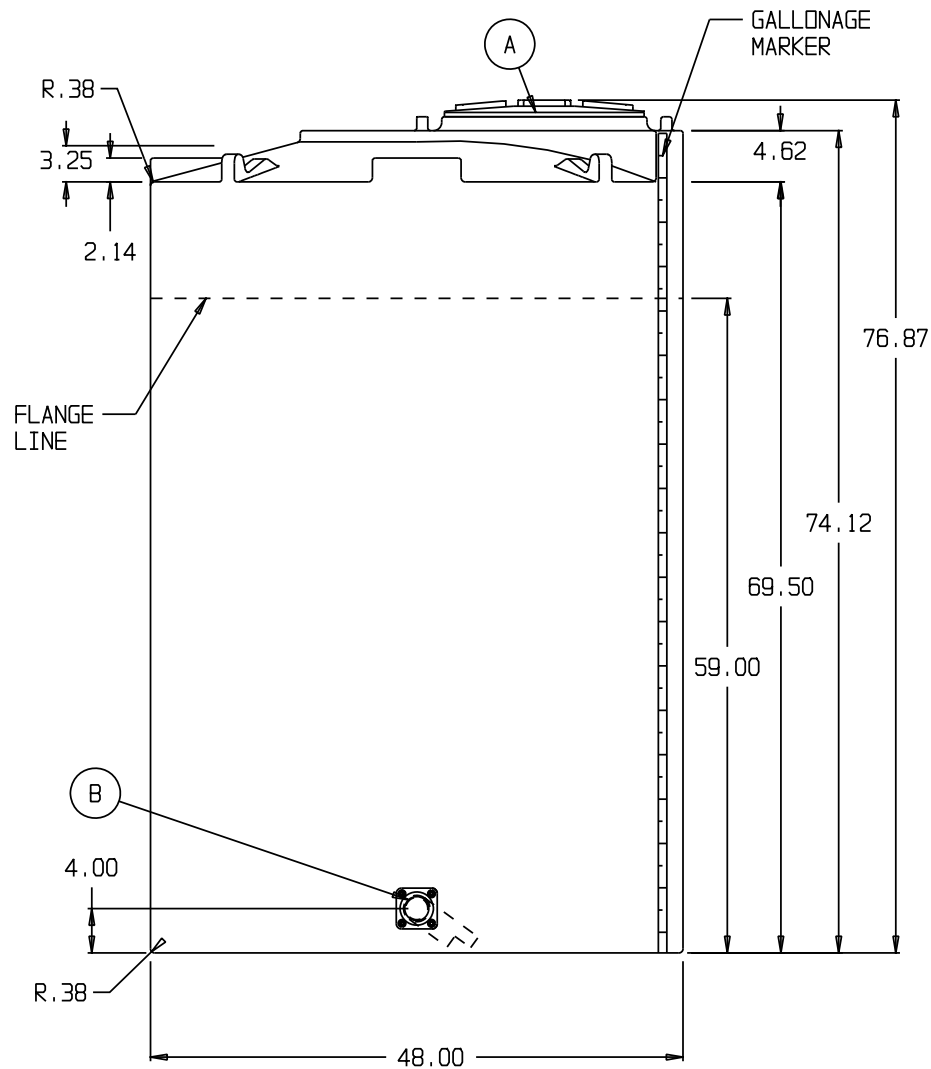
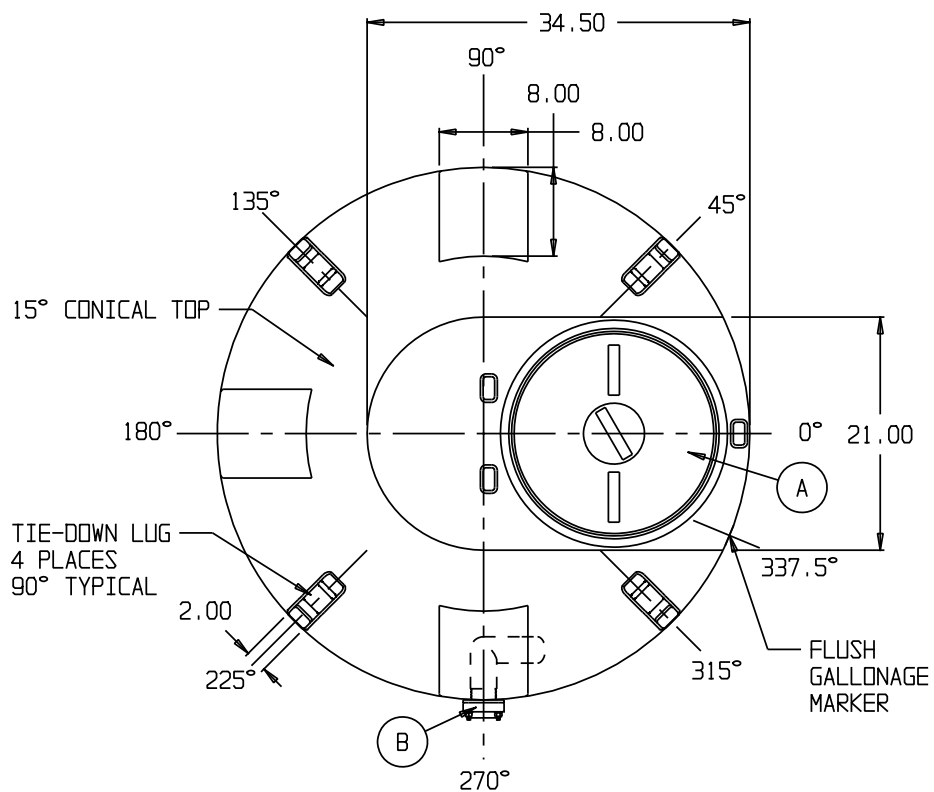


WATER

SNYDER INDUSTRIES INC.



A. 18" PE THREADED-VENTED MANWAY W/15" ACCESS [P/N 34700087]

B. 2" PP BOLTED FTG SHORT SIPHON TUBE ASSY W/EPDM GASKETS & SS BOLTS [P/N 34700842]

* BASE FITTINGS TO BE LEFT INSTALLED AT TIME OF SHIPMENT PER SII PROCEDURE

* Consult Snyder's Guidelines for Use and Installation prior to delivery.

Available on-line at www.snydernet.com

(all dimensions in inches)

PART # TANK: 1800200W94301
HDLPE/NAT/WATER

REF#: 00000

04/27/07

550 GALLON FLAT BOTTOM TANK