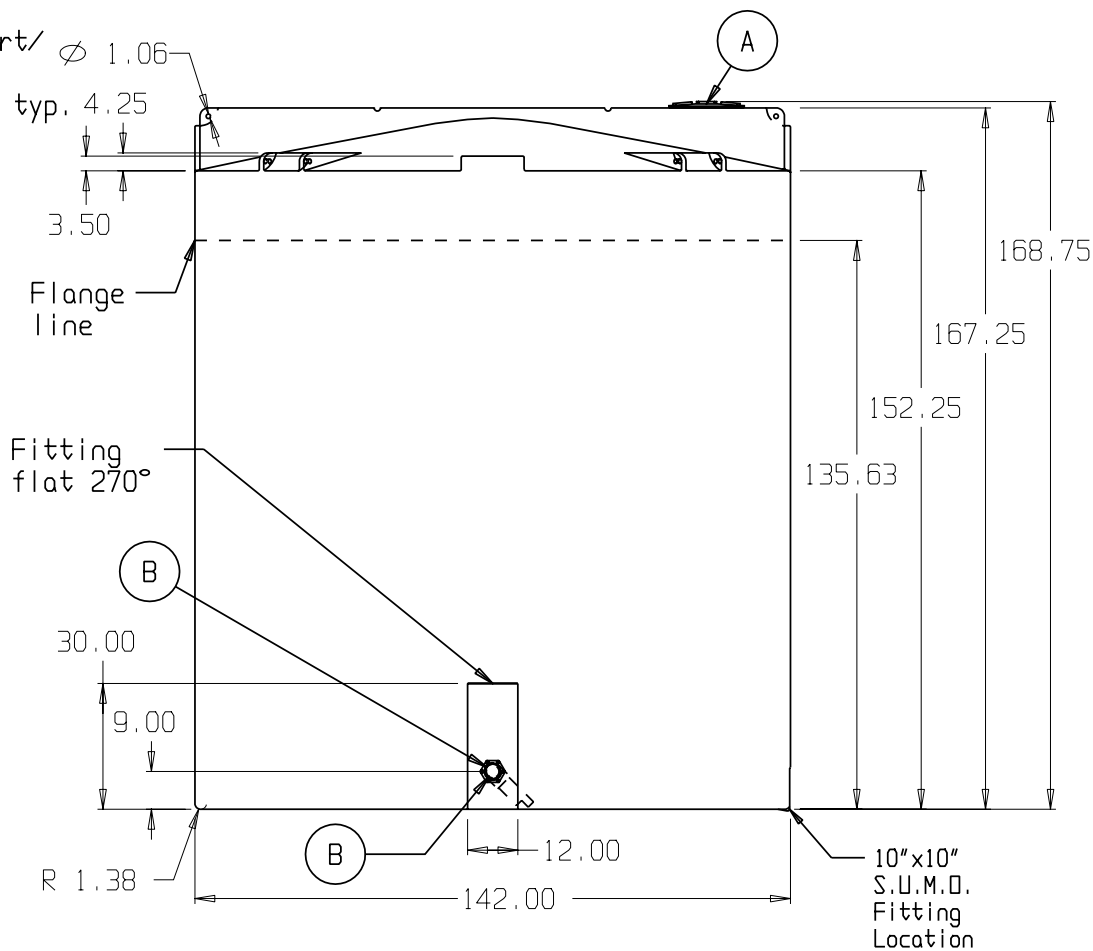
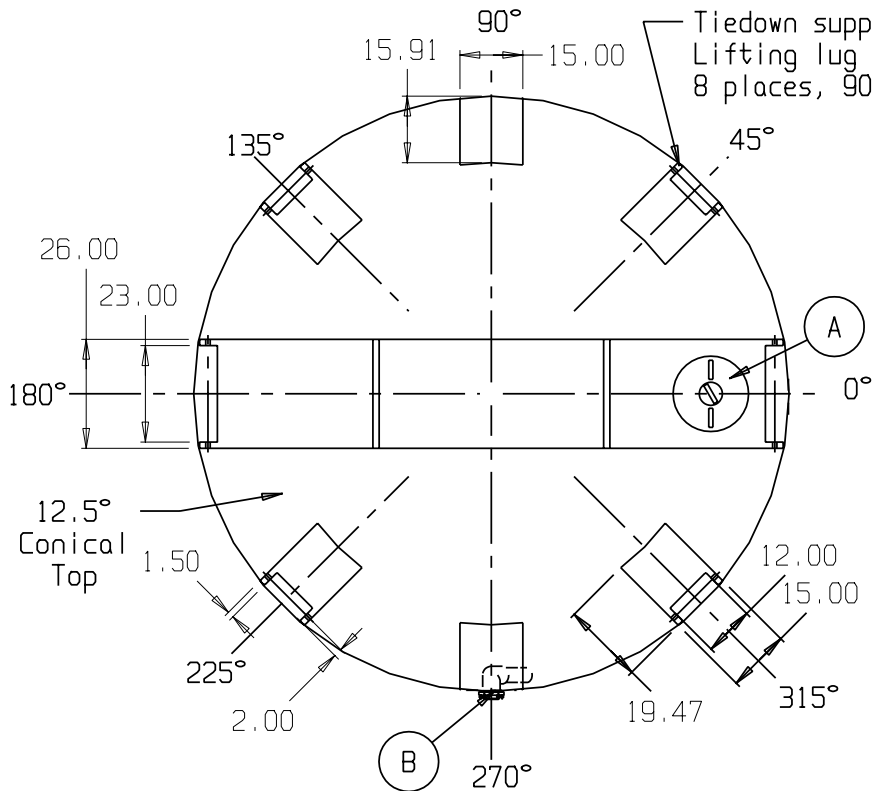


WATER

SNYDER INDUSTRIES INC.



- A. 18" PE THREADED-VENTED MANWAY W/15" ACCESS [P/N 34300012]
- B. 3" PP DBL FLANGED BOLTED FTG <BANJO #BF330> W/EPDM GASKETS & SS BOLTS [P/N 34100134]
- B. 3" PP THREADED SIPHON TUBE [P/N 34100149]

* BASE FITTINGS TO BE LEFT INSTALLED AT TIME OF SHIPMENT PER SII PROCEDURE
 * Consult Snyder's Guidelines for Use and Installation prior to delivery.
 Available on-line at www.snydernet.com

(all dimensions in inches)

PART # TANK: 5330000W94301 (L)
 HDLPE/NAT/WATER

REF#: 0000

04/12/07

10,500 GALLON FLAT BOTTOM WATER TANK