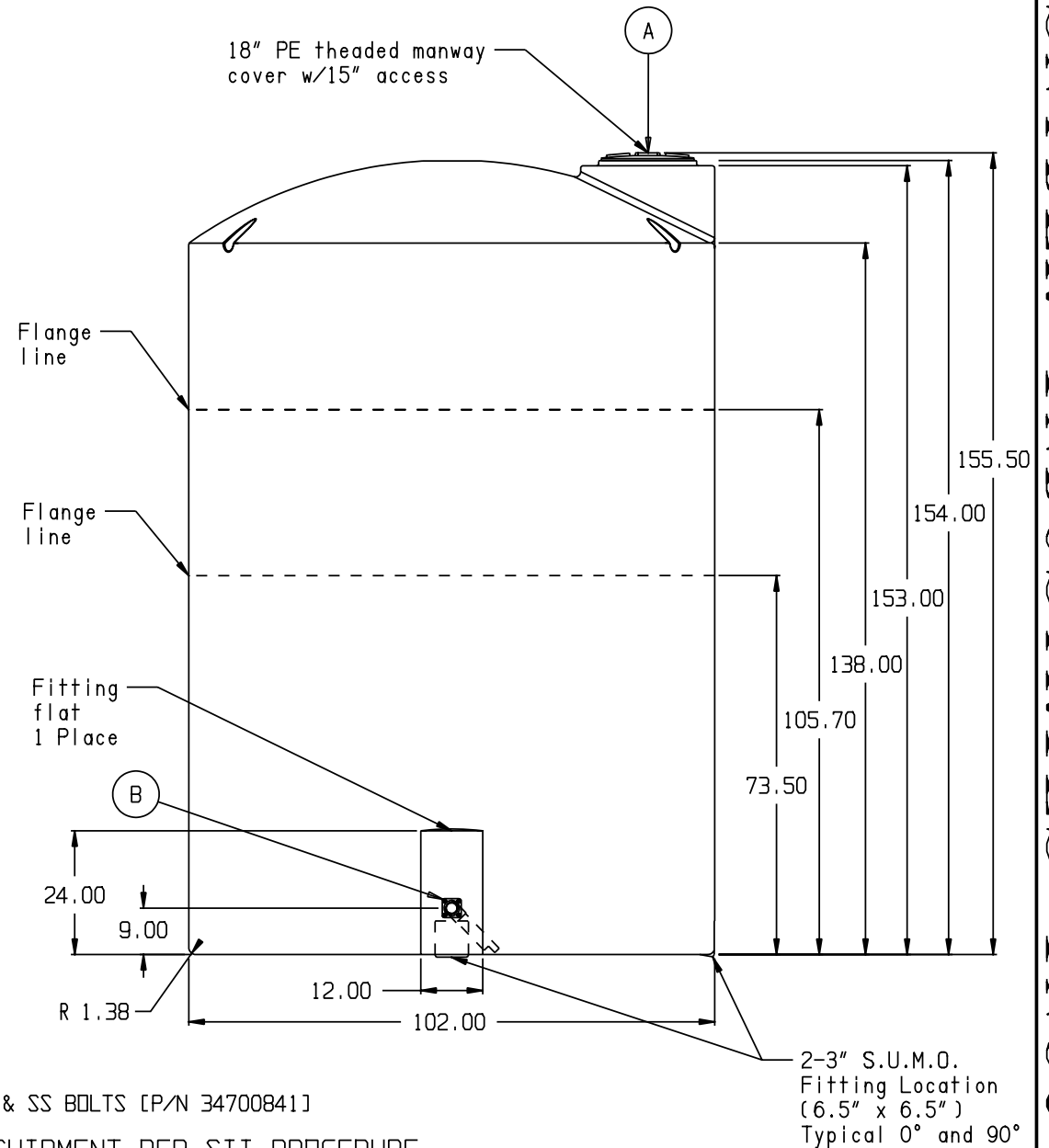
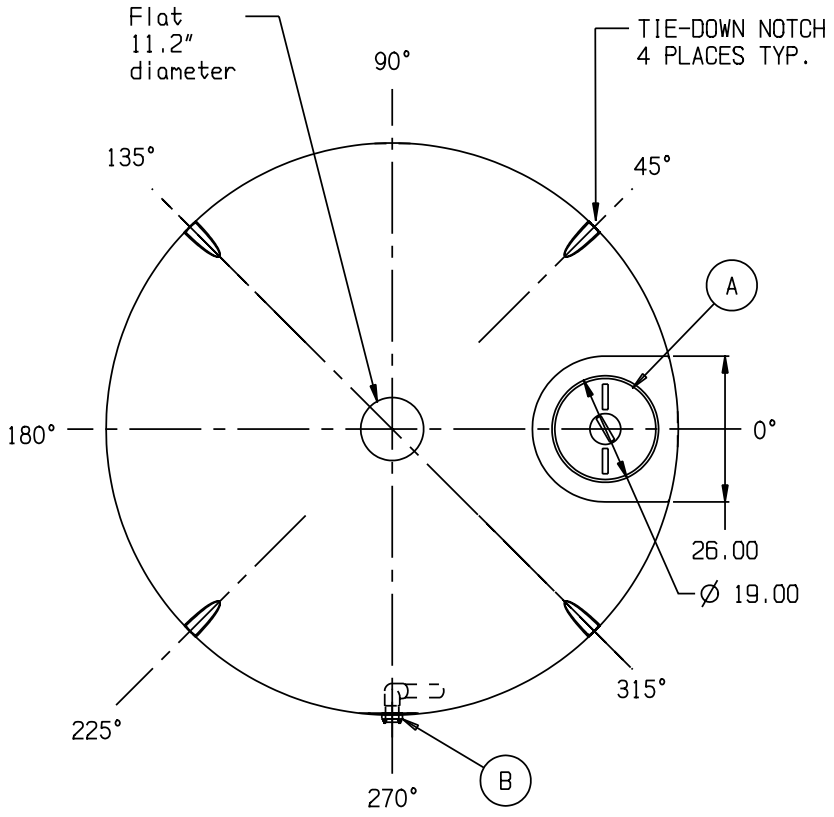


WATER

SNYDER INDUSTRIES INC.



- A. 18" PE THREADED-VENTED MANWAY W/15" ACCESS [P/N 34700087]
- B. 2" PP DBL FLANGED BOLTED LONG SIPHON TUBE ASSY W/EPDM GASKETS & SS BOLTS [P/N 34700841]
- \* BASE FITTINGS TO BE LEFT INSTALLED AT TIME OF SHIPMENT PER SII PROCEDURE
- \* Consult Snyder's Guidelines for Use and Installation prior to delivery.
- Available on-line at [www.snydernet.com](http://www.snydernet.com)

(all dimensions in inches)

PART # TANK: 1002000W94302 (P)  
HDLPE/NAT/1.0 SPGR

REF#: 0000 02/08/06

5,000 GALLON FLAT BOTTOM TANK