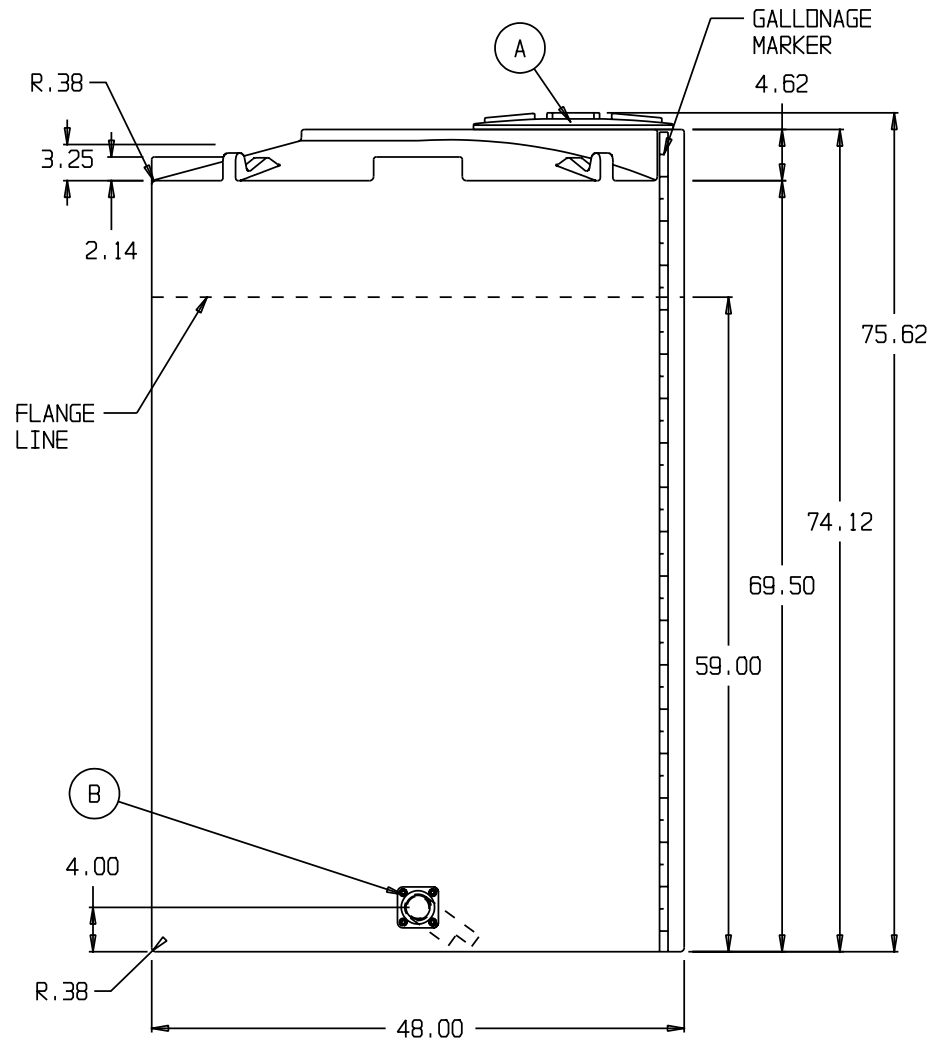
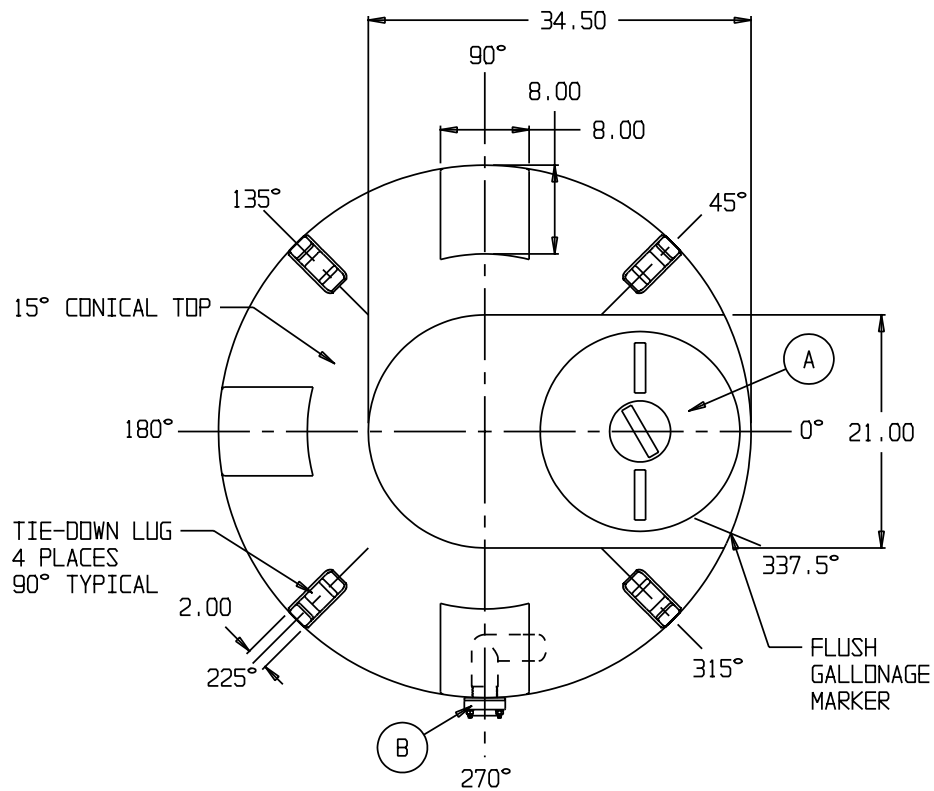


WATER



SNYDER INDUSTRIES INC.

- A. 18" PE THREADED-VENTED MANWAY W/15" ACCESS [P/N 34700087]
 B. 2" PP/PE BOLTED FTG SHORT SIPHON TUBE ASSY W/EPDM GASKETS & SS BOLTS [P/N 34700842]

* BASE FITTINGS TO BE LEFT INSTALLED AT TIME OF SHIPMENT PER SII PROCEDURE
 * Consult Snyder's Guidelines for Use and Installation prior to delivery.
 Available on-line at www.snydernet.com

(all dimensions in inches)

PART #	TANK:	1800000W943xx (L)
		HDLPE/NAT/WATER
REF#:	00000	04/27/07

550 GALLON FLAT BOTTOM TANK