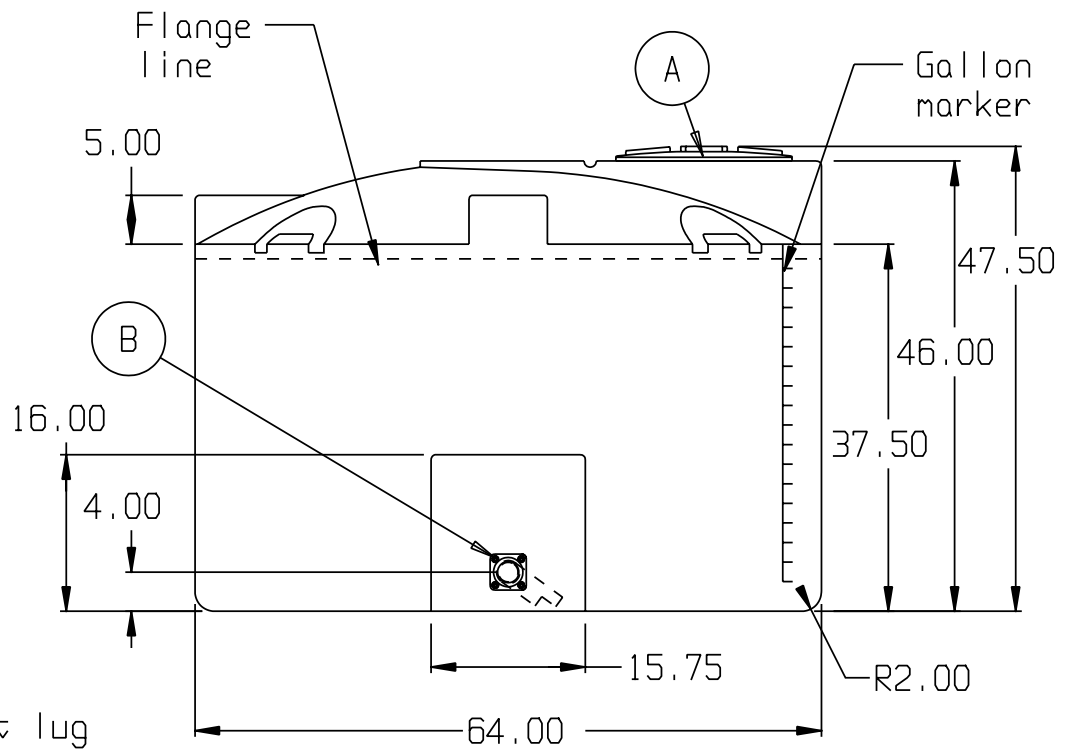
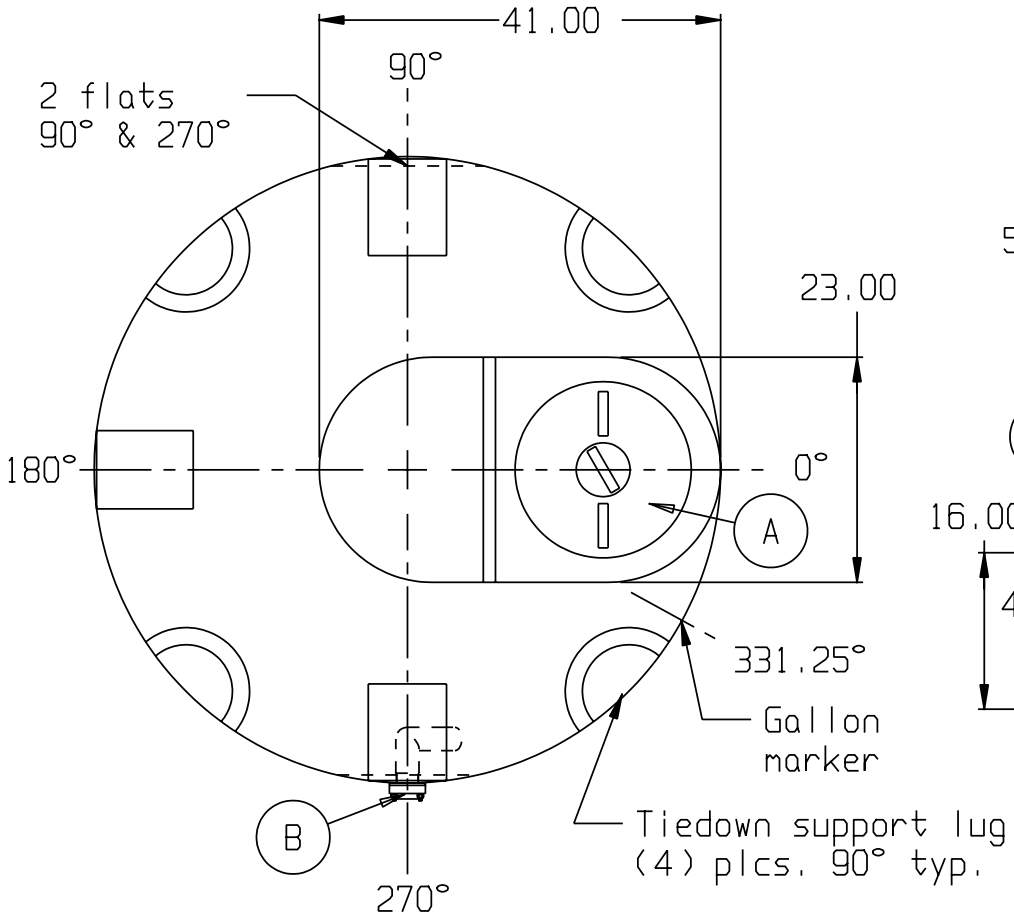


WATER

SNYDER INDUSTRIES INC.



- A. 18" PE THREADED-VENTED MANWAY W/15" ACCESS [P/N 34700087]
- B. 2" PP/PE BOLTED FTG SHORT SIPHON TUBE ASSY W/EPDM GASKETS & SS BOLTS [P/N 34700842]

* BASE FITTINGS TO BE LEFT INSTALLED AT TIME OF SHIPMENT PER SII PROCEDURE
 * Consult Snyder's Guidelines for Use and Installation prior to delivery.
 Available on-line at www.snydernet.com

(all dimensions in inches)
 PART # TANK: 1820000W94301 (L)
 HDLPE/NAT/WATER
 REF#: 00000 04/27/07

550 GALLON FLAT BOTTOM TANK