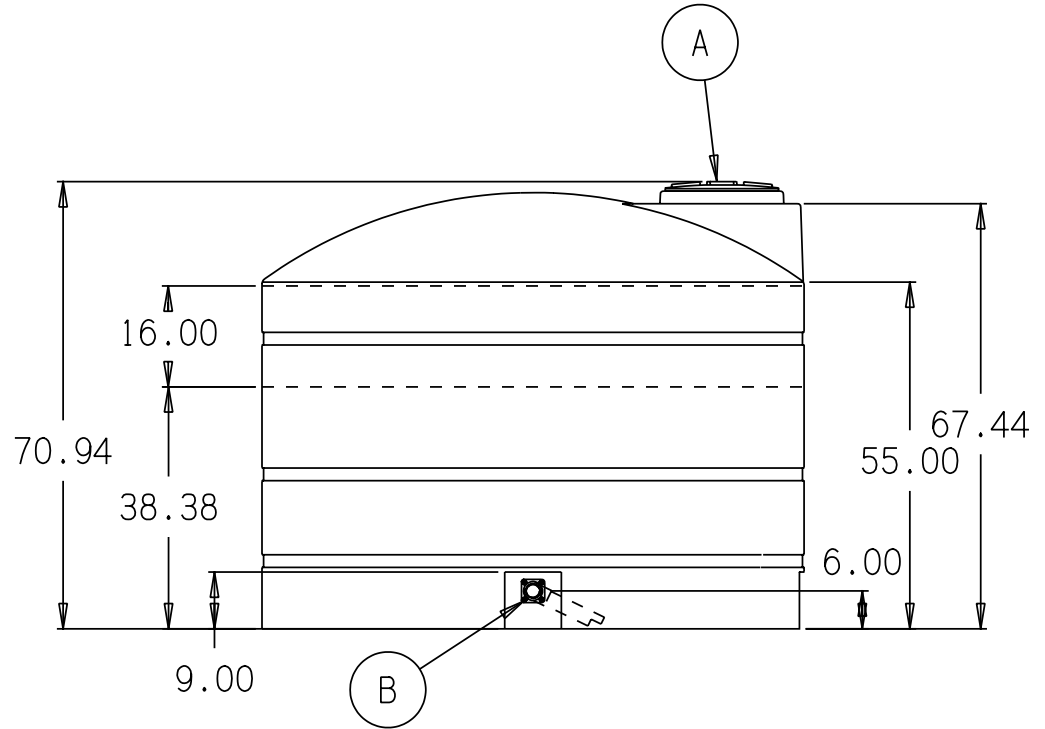
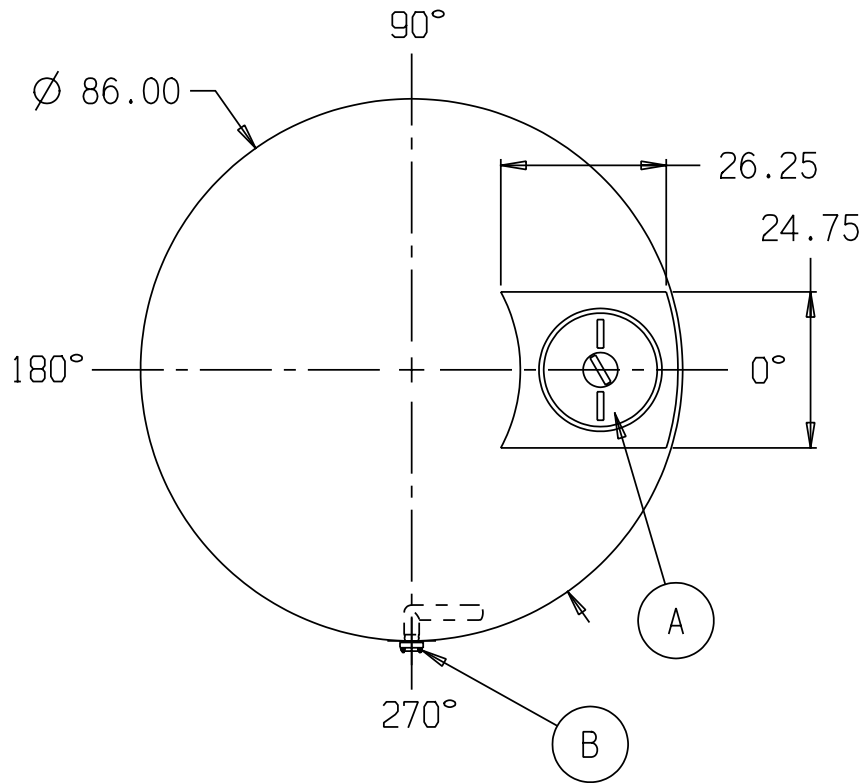


WATER

SNYDER INDUSTRIES INC.



A. 18" PE THREADED-VENTED MANWAY W/15" ACCESS [P/N 34700087]

B. 2" PP DBL FLANGED BOLTED LONG SIPHON TUBE ASSY W/EPDM GASKETS & SS BOLTS [P/N 34700841]

* BASE FITTINGS TO BE LEFT INSTALLED AT TIME OF SHIPMENT PER SII PROCEDURE

* Consult Snyder's Guidelines for Use and Installation prior to delivery.

Available on-line at www.snydernet.com

(all dimensions in inches)

PART # TANK: 8120100W94301 (M)
HDLPE/NAT/WATER

1,500 VERTICAL STORAGE TANK

REF#: 00000

03/27/07