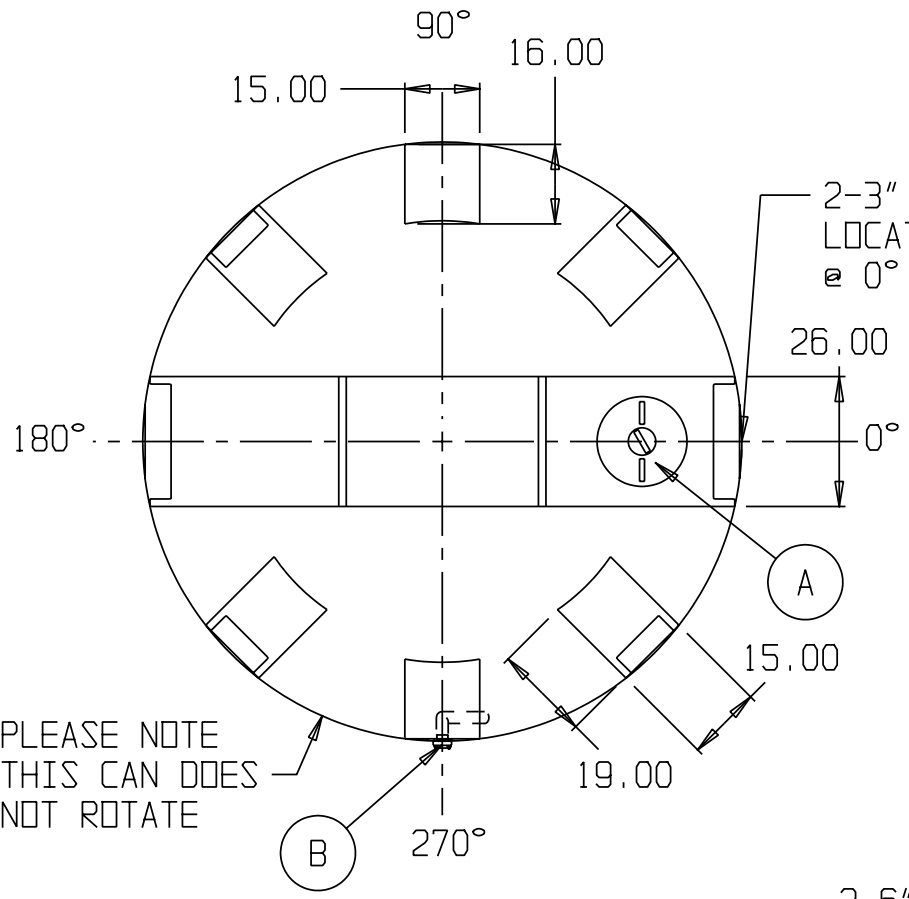
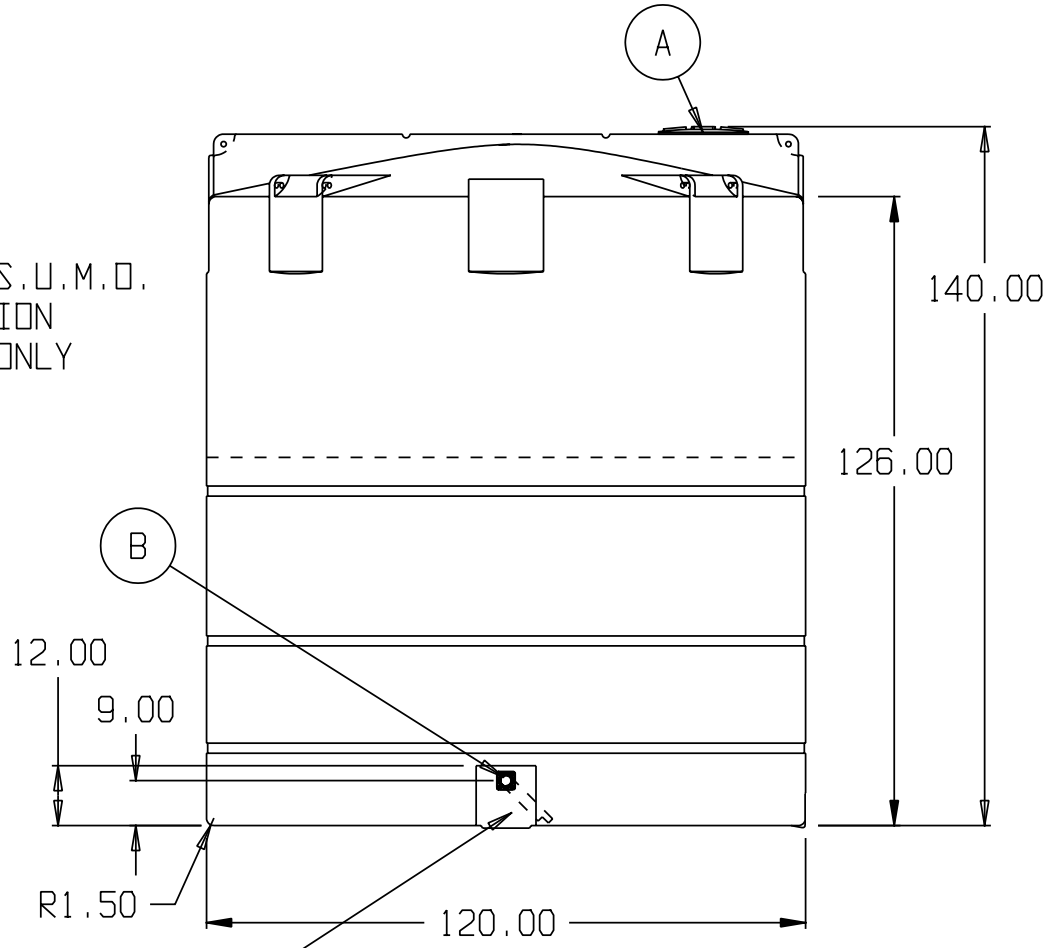


# WATER

SNYDER INDUSTRIES INC.



PLEASE NOTE  
THIS CAN DOES  
NOT ROTATE



2-3" S.U.M.O.  
LOCATION  
@ 0° ONLY

2-6" S.U.M.O.  
LOCATION  
@ 270° ONLY

- A. 18" PE THREADED-VENTED MANWAY W/15" ACCESS [P/N 34700087]
- B. 2" PP DBL FLANGED BOLTED LONG SIPHON TUBE ASSY W/EPDM GASKETS & SS BOLTS [P/N 34700841]

\* BASE FITTINGS TO BE LEFT INSTALLED AT TIME OF SHIPMENT PER SII PROCEDURE  
 \* Consult Snyder's Guidelines for Use and Installation prior to delivery.  
 Available on-line at [www.snydernet.com](http://www.snydernet.com)

(all dimensions in inches)  
 PART # TANK: 8220000W94301 (M)  
 HDLPE/NAT/WATER

REF#: 00000 04/12/07

## 6,200 GALLON VERTICAL WATER STORAGE TANK